

**Design Features include:**

- Unitized disc packs allowing easy installation
- High torque to outer diameter ratio resulting in smaller coupling selection and higher speed potential

**Applications:**

- Pumps
- Compressors
- Fans

**Industry Compliant:**

- ISO 14691
- ATEX II 2GD c T5

**Special design options:**

- Electrically insulated
- Torsionally adjusted
- Limited end float
- Torque meter
- Reduced sparking

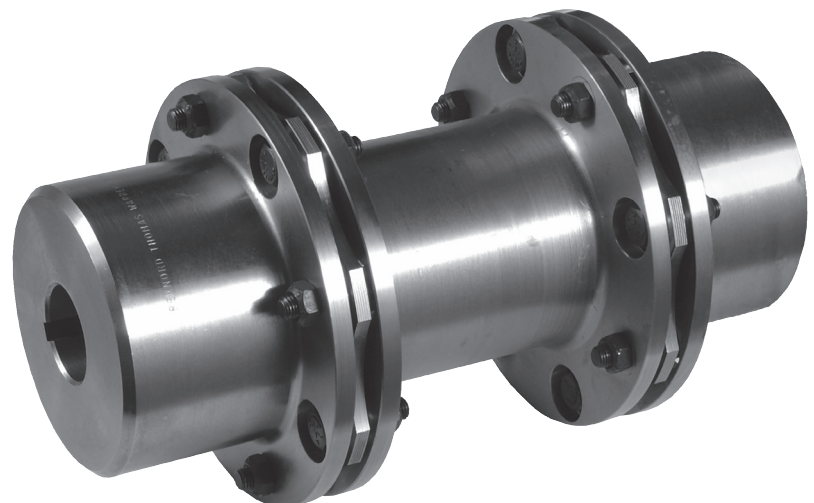
# Rexnord Thomas SR52 Disc Coupling

**Customer-focused solutions.****Reliable Performance.****Trusted Brands.**

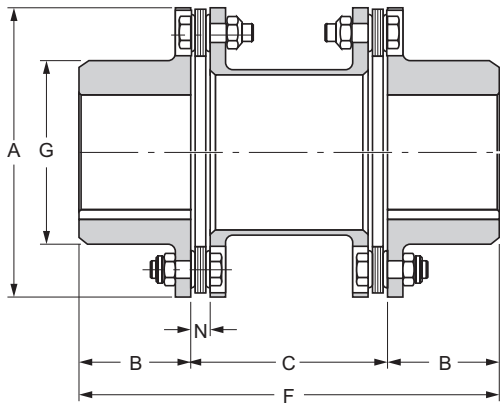
You want a trusted name when it comes to providing engineered power transmission products that improve productivity and efficiency. Rexnord® provides superior products for your industrial applications world wide. We work closely with you to reduce maintenance costs, eliminate redundant inventories and prevent equipment downtime.

**Thomas SR52**

The Rexnord Thomas SR52 is a general purpose high speed high torque disc coupling used where minimum coupling weight is desirable. It is available as a standard flexible membrane coupling or in special designs including torsionally tuned, breaker pin, electrically insulated, brake drum and brake disc.



ATEX II 2GD c T5



| Torque Demands Driven Machine | Typical Application for Electric Motor or Turbine Driven Equipment  | Typical Service Factor      |
|-------------------------------|---|-----------------------------|
|                               | Constant torque such as centrifugal pumps blowers and compressors   | 1.0                         |
|                               | Continuous duty with some torque variations including plastic extruders and forced draft fans   | 1.5                         |
|                               | Light shock loads from metal extruders, cooling towers and log haulers  | 2.0                         |
|                               | Moderate shock loading as expected from a car dumper, stone crusher, vibrating screen   | 2.5                         |
|                               | Heavy shock load with some negative torques from reciprocating pumps, compressors, reversing turnout tables                                   | 3.0                         |
|                               | Frequent torque reversals such as reciprocating compressors with frequent torque reversals which do not necessarily include reverse rotations | Consult REXNORD Engineering |

| Coupling Size | n max        |          | Max torque |        | Max. Bore | A   | B   | C min | C std. | F min | G   | N    | Weight* | Weight Change per mm of C | WR <sup>2</sup> * | WR <sup>2</sup> Change per mm of C | Axial Capacity |
|---------------|--------------|----------|------------|--------|-----------|-----|-----|-------|--------|-------|-----|------|---------|---------------------------|-------------------|------------------------------------|----------------|
|               | not balanced | balanced | Continuous | Peak   |           |     |     |       |        |       |     |      |         |                           |                   |                                    |                |
| 125           | 5000         | 15000    | 305        | 610    | 34        | 94  | 33  | 51,6  |        | 118   | 52  | 6,7  | 2,2     | 0,0028                    | 0,002             | 0,002                              | ±0,91          |
| 162           | 4600         | 15000    | 604        | 1208   | 50        | 110 | 44  | 51,6  |        | 140   | 70  | 7,1  | 3,7     | 0,0037                    | 0,005             | 0,003                              | ±0,91          |
| 200           | 4250         | 15000    | 1186       | 2371   | 58        | 138 | 52  | 66,8  |        | 171   | 83  | 9,1  | 6,6     | 0,0045                    | 0,014             | 0,007                              | ±0,91          |
| 225           | 4100         | 14000    | 1976       | 3952   | 70        | 144 | 67  | 69,9  |        | 204   | 96  | 9,1  | 8,1     | 0,0047                    | 0,02              | 0,008                              | ±0,91          |
| 262           | 3900         | 13000    | 3707       | 7414   | 84        | 168 | 73  | 81,8  |        | 228   | 114 | 11,9 | 13,6    | 0,0072                    | 0,044             | 0,015                              | ±1,09          |
| 312           | 3450         | 11700    | 5804       | 11607  | 97        | 198 | 86  | 95,3  |        | 267   | 133 | 12,7 | 22,7    | 0,0087                    | 0,102             | 0,027                              | ±1,3           |
| 350           | 3200         | 10500    | 7554       | 15107  | 110       | 221 | 95  | 105,7 |        | 296   | 146 | 13,5 | 31,5    | 0,0097                    | 0,18              | 0,037                              | ±1,42          |
| 375           | 3000         | 9400     | 11325      | 22650  | 120       | 246 | 105 | 116,6 |        | 327   | 165 | 15,1 | 44,7    | 0,0133                    | 0,31              | 0,061                              | ±1,57          |
| 425           | 2800         | 8700     | 15164      | 30327  | 130       | 267 | 108 | 125,5 | 250    | 341   | 178 | 15,9 | 57,5    | 0,0173                    | 0,44              | 0,094                              | ±1,7           |
| 450           | 2700         | 8100     | 16982      | 33963  | 140       | 287 | 114 | 135,6 | 250    | 364   | 189 | 18,3 | 70,7    | 0,0184                    | 0,66              | 0,011                              | ±1,83          |
| 500           | 2500         | 7100     | 27821      | 55642  | 146       | 327 | 127 | 153,2 | 250    | 407   | 213 | 19,8 | 102     | 0,0245                    | 1,25              | 0,198                              | ±2,08          |
| 550           | 2300         | 6300     | 37305      | 74611  | 166       | 367 | 140 | 174,8 | 250    | 455   | 240 | 23   | 142     | 0,0387                    | 2,23              | 0,382                              | ±2,34          |
| 600           | 2150         | 5700     | 48980      | 97960  | 176       | 406 | 152 | 190,5 | 250    | 495   | 260 | 24,6 | 186     | 0,0430                    | 3,58              | 0,525                              | ±2,59          |
| 700           | 1950         | 5000     | 76191      | 152383 | 205       | 464 | 178 | 217,4 | 300    | 573   | 298 | 30,5 | 259     | 0,0714                    | 4,82              | 1,04                               | ±2,92          |
| 750           | 1850         | 4600     | 98096      | 196191 | 224       | 503 | 191 | 235   | 300    | 617   | 321 | 32,3 | 327     | 0,0893                    | 7,17              | 1,5                                | ±3,18          |
| 800           | 1750         | 4300     | 121795     | 243591 | 241       | 546 | 210 | 254,5 | 300    | 675   | 346 | 34   | 413     | 0,1071                    | 10,8              | 2,3                                | ±3,45          |
| 850           | 1600         | 3900     | 143734     | 287467 | 250       | 584 | 222 | 273,1 | 350    | 717   | 368 | 35,6 | 503     | 0,1071                    | 15                | 2,3                                | ±3,66          |
| 925           | 1500         | 3600     | 194656     | 389312 | 270       | 635 | 241 | 292,1 | 500    | 774   | 400 | 38,1 | 662     | 0,1429                    | 23,3              | 4,61                               | ±3,96          |
| 1000          | 900          | 3250     | 220173     | 440347 | 300       | 699 | 267 | 368   | 500    | 902   | 438 | 42,9 | 853     | 0,1607                    | 36                | 5,83                               | ±4,37          |
| 1100          | 800          | 3100     | 262514     | 525029 | 320       | 741 | 286 | 406   | 600    | 978   | 470 | 44,5 | 1021    | 0,1964                    | 49,3              | 9,15                               | ±4,65          |
| 1200          | 650          | 2800     | 320098     | 640196 | 345       | 816 | 311 | 432   | 600    | 1054  | 514 | 50   | 1365    | 0,2679                    | 78,8              | 13,74                              | ±5,16          |
| 1300          | 600          | 2600     | 382763     | 765526 | 380       | 876 | 337 | 457   | 700    | 1131  | 556 | 51,6 | 1660    | 0,2679                    | 109,6             | 15,55                              | ±5,54          |

\* Weight (m) and inertia (WR<sup>2</sup>) calculated at minimum DBSE and maximum bore.

| Coupling Size | mm  |     |     |     |     |     | inch |   |   |     |   |   |   |
|---------------|-----|-----|-----|-----|-----|-----|------|---|---|-----|---|---|---|
|               | 100 | 140 | 180 | 250 | 300 | 400 | 3,5  | 4 | 5 | 5,5 | 6 | 7 | 8 |
| 125           | •   | •   |     |     |     |     |      |   |   |     |   |   |   |
| 162           | •   | •   | •   |     |     |     |      |   | • |     |   |   |   |
| 200           | •   | •   |     |     |     |     |      |   | • |     |   |   |   |
| 225           | •   | •   | •   | •   |     |     |      |   | • |     |   |   |   |
| 262           |     | •   | •   | •   |     |     |      |   | • |     |   |   |   |
| 312           |     | •   | •   | •   |     |     |      |   |   |     |   |   | • |
| 350           |     |     | •   | •   |     |     |      |   |   |     | • |   | • |
| 375           |     |     | •   | •   |     |     |      |   |   |     |   | • |   |