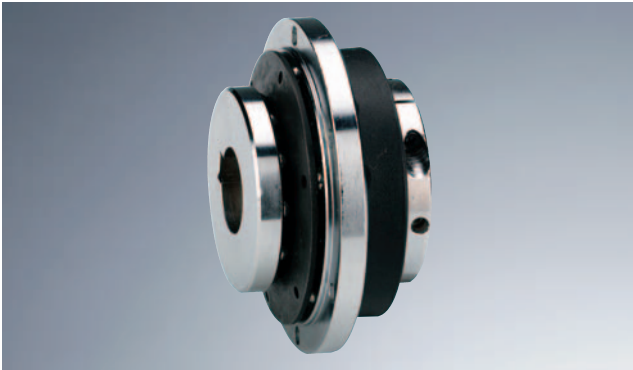
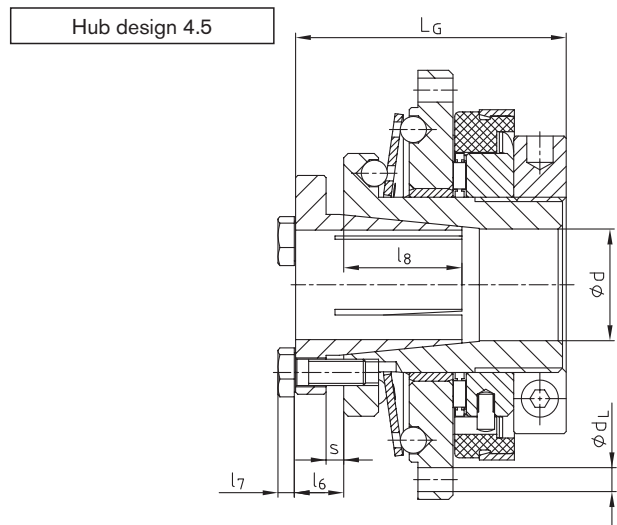
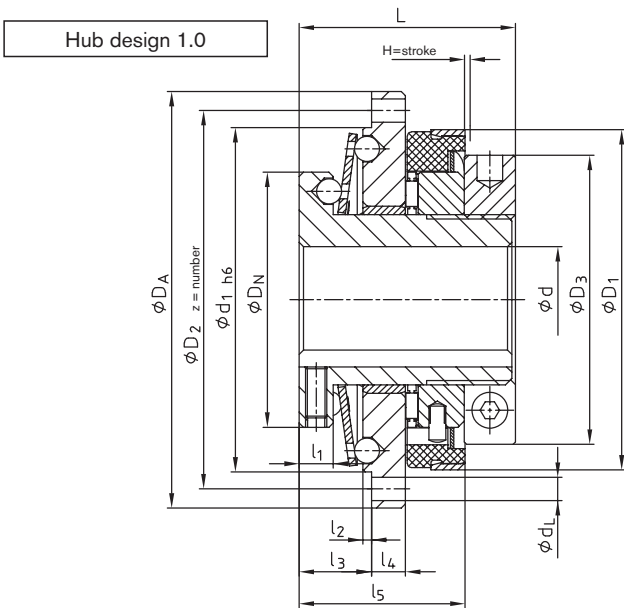


SYNTEX® standard flange coupling



- Standard SYNTEX® overload system up to 400 Nm
- Flange design
- Easy mounting of customers' components
- Available both as a ratchet and synchronous design
- Torque setting possible while in place
- Finish bore according to ISO fit H7, feather keyway according to DIN 6885 sheet 1 - JS9
- Also available with a frictionally engaged shaft-hub-connection (hub design 4.5)



Technical data																						
Size	Torques [Nm]				Max. speed [rpm]	Dimensions [mm]																
	Ratchet design DK		Synchronous design SK			Bore d																
	DK ₁	DK ₂	SK ₁	SK ₂		Pilot bore	max.	D _A	D ₂	d ₁	D _N	D ₃	D ₁	d _L	L	l ₁	l ₂	l ₃	l ₄	l ₅	z	H=stroke
20	6-20	15-30	10-20	20-65	1500	-	20	80	71	65	48	54	61,5	4,5	45	8	2	16	6	35	8	2
25	20-60	45-90	25-65	40-100	1500	-	25	98	89	81	60	68	80	5,5	50	8	2	17	8	39	8	2
35	25-80	75-150	30-100	70-180	1000	-	35	120	110	102	75	78	91	5,5	60	10	2	21	10	42	12	2
50	60-180	175-300	80-280	160-400	1000	-	50	162	152	142	105	108	121	6,6	70	12	2	25	13	56	12	2

Technical data – Hub design 4.5								
Size	Dimensions [mm]						Clamping screw	Tightening torque T _A [Nm]
	d _{max.}	l ₆	l ₇	l ₈	L _G	s		
20	20	9	3,5	23	54	3	4 x M5	8,5
25	25	11	4,0	28	61	4	4 x M6	14
35	35	10	4,0	31	70	4	4 x M6	14
50	50	12	4,0	37	82	6	4 x M6	14

Bores (fitting tolerance H7/h6) and the corresponding friction torques T _R [Nm]																						
Size	Ø12	Ø14	Ø15	Ø16	Ø17	Ø18	Ø19	Ø20	Ø22	Ø23	Ø24	Ø25	Ø28	Ø30	Ø32	Ø35	Ø38	Ø40	Ø42	Ø45	Ø48	Ø50
20	45	62	71	81	92	103	115	127														
25		72	83	95	107	120	133	148	179	196	213	231										
35									127	139	152	165	207	237	270	323						
50																238	281	311	343	394	448	486

Ordering example:	SYNTEX®	25	DK1	Ø20	1.0	45 Nm
	Type	Size	Design	Bore	Hub design	Torque set