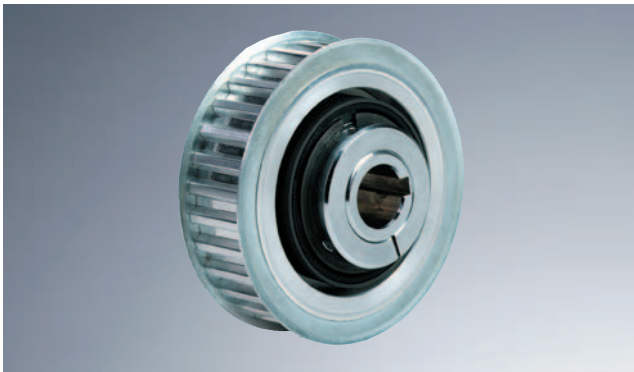
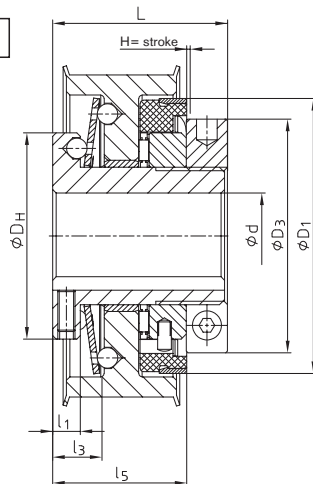


Standard SYNTEX® with belt drive

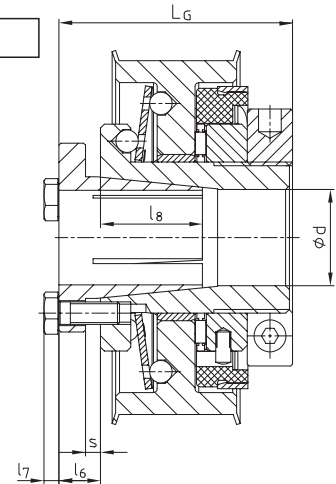


- Standard SYNTEX® with integrated belt drive
- Available ready to be installed with the torque set
- Reduction of components by integration of components
- Available both as a ratchet and synchronous design
- Torque setting possible while in place
- Finish bore according to ISO fit H7, feather keyway according to DIN 6885 sheet 1 - JS9
- Also available with a frictionally engaged shaft-hub-connection (hub design 4.5)

Hub design 1.0



Hub design 4.5



Technical data																	
Size	Torques [Nm]				Max. speed [rpm]	Dimensions [mm]											
	Ratchet design DK		Synchronous design SK			Bore d		Belt drive		DN	D3	D1	L	l1	l3	l5	H=stroke
	DK1	DK2	SK1	SK2		Pilot bore	max.	T10 ¹⁾	AT10 ¹⁾								
20	6-20	15-30	10-20	20-65	1500	-	20	T10, z=24	AT10, z=24	48	54	61,5	45	8	14	35	2
25	20-60	45-90	25-65	40-100	1500	-	25	T10, z=30	AT10, z=30	60	68	80	50	8	15	39	2
35	25-80	75-150	30-100	70-180	1000	-	35	T10, z=36	AT10, z=36	75	78	91	60	10	19	42	2
50	60-180	175-300	80-280	160-400	1000	-	50	T10, z=48	AT10, z=48	105	108	121	70	12	23	56	2

Technical data – Hub design 4.5								
Size	Dimensions [mm]						Clamping screws	Tightening torque TA [Nm]
	dmax.	l6	l7	l8	LG	s		
20	20	9	3,5	23	54	3	4 x M5	8,5
25	25	11	4,0	28	61	4	4 x M6	14
35	35	10	4,0	31	70	4	4 x M6	14
50	50	12	4,0	37	82	6	4 x M6	14

Bores (fitting tolerance H7/h6) and the corresponding friction torques TR [Nm]																						
Size	Ø12	Ø14	Ø15	Ø16	Ø17	Ø18	Ø19	Ø20	Ø22	Ø23	Ø24	Ø25	Ø28	Ø30	Ø32	Ø35	Ø38	Ø40	Ø42	Ø45	Ø48	Ø50
20	45	62	71	81	92	103	115	127														
25		72	83	95	107	120	133	148	179	196	213	231										
35									127	139	152	165	207	237	270	323						
50															238	281	311	343	394	448	486	

¹⁾ z = minimum number of teeth requested
weitere Größen auf Anfrage

Ordering example:	SYNTEX®	25	DK1	Ø20	1.0	AT10, z=24	30	45 Nm
	Type	Size	Design	Bore	Hub design	Belt drive	Width of synchronous belt	Torque set