

## Electromagnetic clutches and brakes

# G-Type

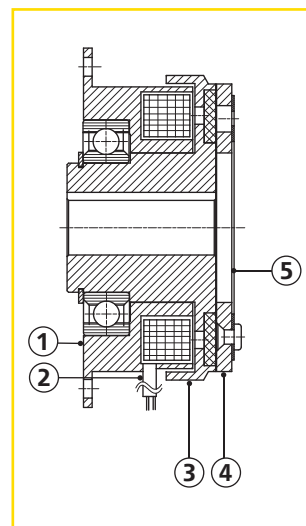
# Electromagnetic clutch with bearing



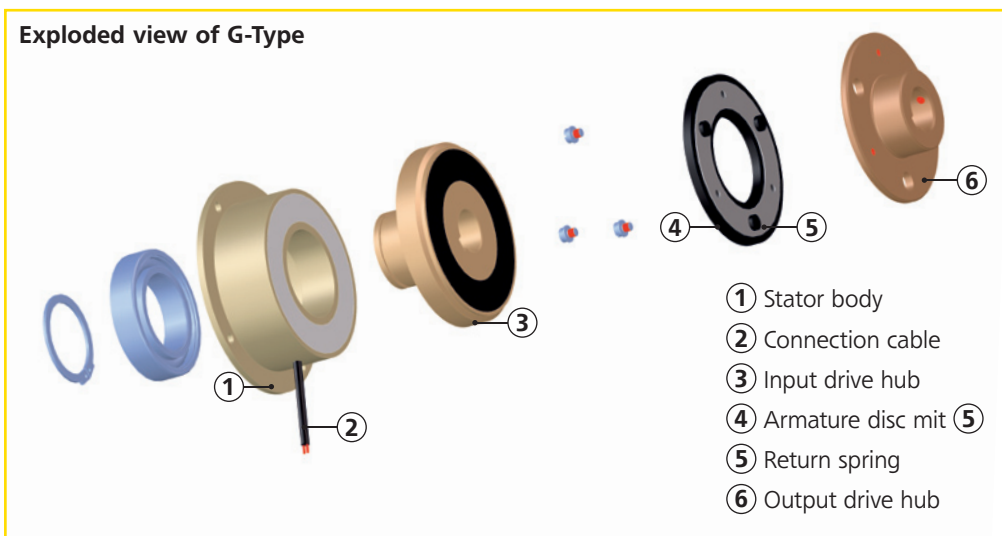
The basic model of electromagnetic clutch with bearing consists of stator body ① with cast-in coil and connection cable ②, the input drive hub ③ with support bearing, and the armature disc ④ to which the return spring ⑤ is riveted. Because it contains a bearing, it is not necessary to centre the stator body on the input drive hub when using this model.

Depending on the size of the clutch, the installation must provide for an air gap of between 0.2 and 0.5 mm between the drive hub and the armature disc.

If a SUCO output drive hub is not used, it is important to ensure that there are clearance holes to accommodate the rivet heads when installing the armature disc. The armature disc is centred by the screws which hold the spring disc to the output component. When the armature disc is installed, it must remain free to move axially against the return spring.



### Exploded view of G-Type



### Performance data and dimensions

Size	03	04	05	06	07	08	09
Torque [Nm] For reference purposes <sup>1)</sup>	4.5	8.0	20.0	38.0	80.0	150.0	280.0
Speed of rotation max. [rpm]	8 000	6 000	5 000	4 000	3 000	3 000	2 000
Power [W] T = 20° C	12	20	23	32	40	55	72
d max. [mm] <sup>2)</sup>	20	25	30	40	50	70	80
D [mm]	80	100	125	150	190	230	290
L1 [mm]	41.0	45.0	52.0	56.5	67.0	75.4	90.0
L2 [mm]	68.0	72.5	92.0	102.5	112.0	130.5	153.0
L3 [mm]	56.0	65.0	77.0	86.5	105.0	123.4	145.0

<sup>1)</sup> Depending on design of installation, operating and ambient conditions

<sup>2)</sup> Keyway to DIN 6885/1

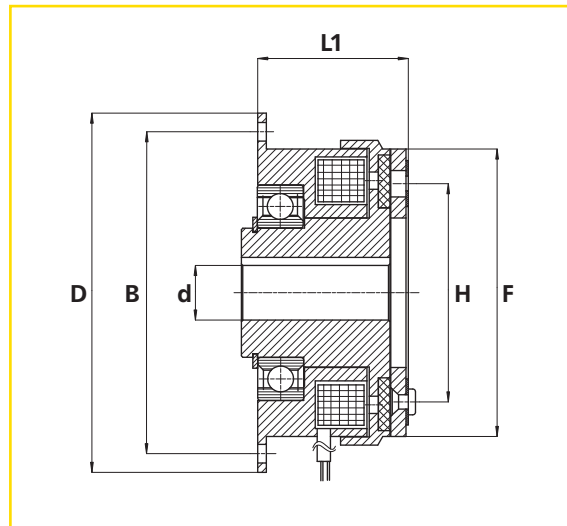
# Models

## Model A

### Clutch with input drive hub

Basic version without output drive hub

Connection to output side by screws

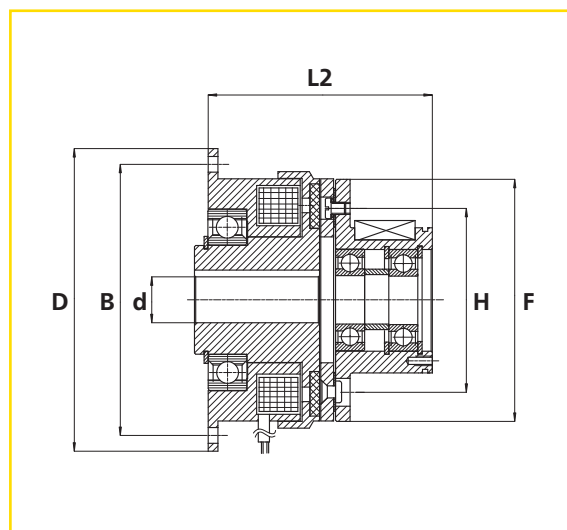


## Model C

### Clutch with input and output drive hubs

Basic version with axial output drive (mounted on one shaft)

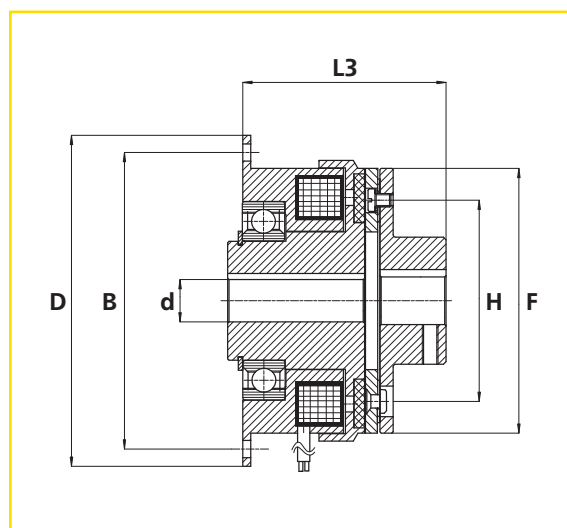
Output drive hub with bearings



## Model D

### Clutch with input and output drive hubs

Basic version with axial output drive (shaft - shaft)



### Standard Dimensions [mm]

Size	Ø B	Ø F	Ø H
02	52	42	29
03	72	63	46
04	90	80	60
05	112	100	76
06	137	125	95
07	175	160	120
08	215	200	158
09	270	250	210