

SMZ

TYPE

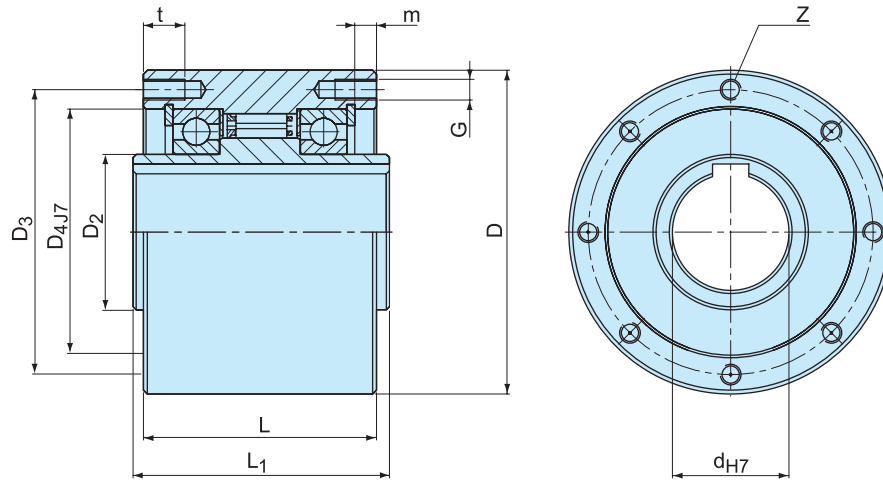


Type SMZ is a sealed, sprag type freewheel, bearing supported using two 60..ZZ series grease lubricated bearings.

Units are delivered grease lubricated ready for installation. SMZ units are intended as multipurpose, to be used in various applications. A typical mounting

arrangement is shown on the following page. The inner race is keyed to the shaft. The inside diameter of the outer race (dimension D4) should be used as the mounting register for the connected parts (sprocket, pulley, gear, torque arm...). The mounting spigot should be to g6 tolerance.

SMZ



Type	Size	Overrunning speeds															Weight
		$T_{KN}^{1)}$ [Nm]	$n_{imax}^{2)}$ [min ⁻¹]	$n_{amax}^{3)}$ [min ⁻¹]		D	D ₂	D ₃	D ₄ ^{H7}	L	L ₁	G	z	t	m		
SMZ	20	300	1600	700		80	30	68	55	65	67	M6	6	12	7.6	2	
	30	1035	1500	500		100	45	88	75	80	82	M8	6	16	8.9	3.7	
	35	1100	1400	300		110	50	95	80	85	87	M8	6	16	8.7	4.8	
	45	1750	1300	300		125	60	110	95	90	92	M8	8	16	8.4	6.2	
	60	3400	1100	250		155	80	140	125	100	102	M8	8	16	9.1	10.2	
	70	4300	1000	250		175	95	162	145	103	105	M8	8	16	8.6	13.2	

NOTES

- 1) $T_{max} = 2 \times T_{KN}$
» Refer to Selection page 10 to 13
- 2) Inner race overruns
- 3) Outer race overruns
Keyway to DIN 6885.1
- » Refer to mounting and maintenance instructions
page 16 to 19

MOUNTING EXAMPLE

