

# ASNU

## TYPE



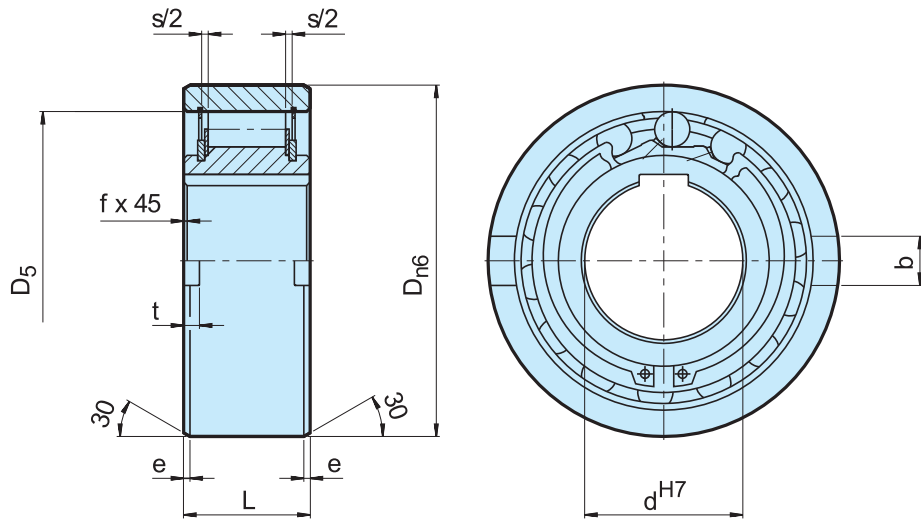
**T**ype ASNU is a roller type freewheel non-bearing supported. Bearings are required to support axial and radial loads. Lubrication and sealing must also be provided by the installation. Nominal outer diameter is the same as a series 63.. ball bearing.

A typical arrangement is to install this type alongside a bearing within the same location tolerances, as shown on the following page. The inner race is keyed to the shaft.

The outer race has positive n6 tolerance, to give a press fit in a H7 housing. Additional side notches in the outer race provide for positive torque transmission.

If the housing is to K6 tolerance, use of the notches is not necessary, but the housing must be strong enough to not expand after assembly. This design can accept an axial misalignment of inner and outer race of  $\pm S/2$ .

ASNU



Type	Size	Overrunning Speeds											Weight (kg)	Drag torque $T_R$ (Ncm)
		$d^{H7}$ (mm)	$T_{KN}^{1)}$ (Nm)	$n_{imax}^{2)}$ (min <sup>-1</sup> )	$n_{amax}^{3)}$ (min <sup>-1</sup> )	$D_{n6}$ (mm)	$D_5$ (mm)	L (mm)	b (mm)	t (mm)	s (mm)	e (mm)		
ASNU	8	12	3300	5000	35	28	13	4	1.4	2.4	0.6	0.3	0.07	1.6
	12	12	3300	5000	35	28	13	4	1.4	2.4	0.6	0.3	0.06	1.6
	15	30	2400	3600	42	37	18	5	1.8	2.4	0.8	0.3	0.11	1.9
	17	49	2300	3400	47	40	19	5	2.3	2.4	1.2	0.8	0.15	1.9
	20	78	2100	3100	52	42	21	6	2.3	2.4	1.2	0.8	0.19	1.9
	25	125	1700	2600	62	51	24	8	2.8	2.4	1.2	0.8	0.38	5.6
	30	255	1400	2200	72	60	27	10	2.5	2.4	1.8	1	0.54	14
	35	383	1200	1900	80	70	31	12	3.5	2.4	1.8	1	0.74	16
	40	538	1100	1700	90	78	33	12	4.1	2.5	1.8	1	0.92	38
	45	780	1000	1600	100	85	36	14	4.6	2.5	1.8	1	1.31	43
	50	1013	850	1350	110	92	40	14	5.6	2.5	1.8	1	1.74	55
	60	1825	750	1050	130	110	46	18	5.5	3.6	2.6	1.5	2.77	110
	70	2300	600	950	150	125	51	20	6.9	3.6	2.6	1.5	4.16	140
	80	3275	550	850	170	140	58	20	7.5	3.6	2.6	1.5	6.09	180
	90	5325	500	750	190	160	64	20	8.0	3.6	2.6	2	8.2	230
	100	7250	450	680	215	175	73	24	8.5	3.6	2.6	2	12.6	380
	120	13500	370	550	260	215	86	28	10	3.6	2.6	2.5	22	650
	150	26625	300	460	320	260	108	32	12	3.6	3.6	2.5	42	1000
200	44500	230	350	420	350	138	45	16	7.6	3.6	3	93	2000	

**NOTES**

ASNU8-12, ASNU200 keyway to DIN 6885. 1, other sizes to DIN 6885.3

1)  $T_{max} = 2 \times T_{KN}$   
 » Refer to Selection page 10 to 13

2) Inner race overruns

3) Outer race overruns

» Refer to mounting and maintenance instructions page 16 to 19

**MOUNTING EXAMPLE**

