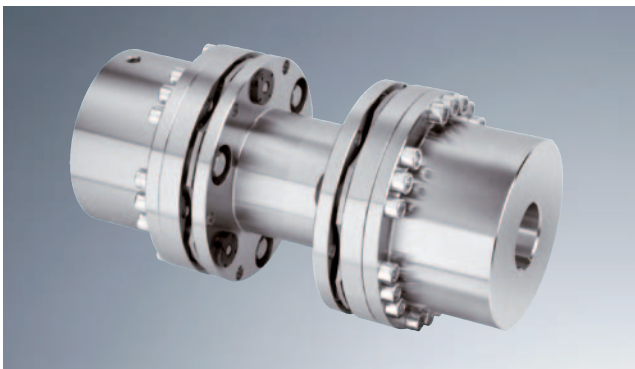

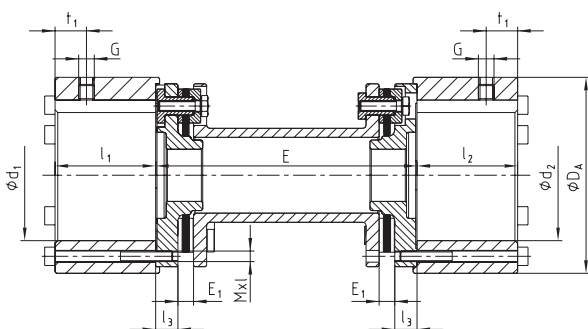


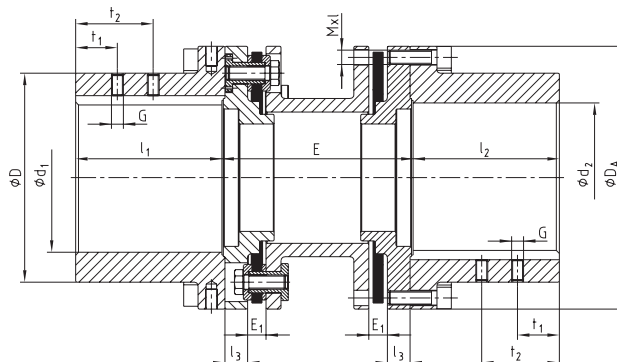
### Type A



- Series for pump drives
- Coupling in accordance with API 610, API 671 optionally.
- Available with large hub for bigger bore diameters
- Spacers are supplied assembled by the manufacturer
- Finish bore according to ISO fit H7, feather key according to DIN 6885 sheet 1 - JS9
- High balancing quality due to accurate machining (AGMA Class 9)
-  Approved and certified according to EC Standard 94/9/EC



Size 35



Size 50 - 408

RIGIFLEX®-N Type A																			
Size	Torque [Nm]			Max. finish bore	Dimensions [mm]											Screws DIN EN ISO 4762			
	T <sub>KN</sub>	TK max.	T <sub>KW</sub>		d <sub>1</sub> /d <sub>2</sub>	D	D <sub>A</sub>	l <sub>1</sub> /l <sub>2</sub>	l <sub>3</sub>	G	t <sub>1</sub>	t <sub>2</sub>	E <sub>1</sub>	E <sup>1)</sup>				Mxl	T <sub>A</sub> [Nm]
35	130	260	65	50	-	75	38,5	8,5	M6	15	-	6	100	140	-	-	-	M4x45	4,1
50	270	540	135	50	70	95	50	12	M6	10	-	9	100	140	-	-	-	M6x22	14
65	550	1100	275	65	100	126	63	12	M8	20	-	11	100	140	180	-	-	M6x25	14
75	1100	2200	550	75	105	138	62,5	12	M8	20	-	11	100	140	180	-	-	M8x30	35
85	1900	3800	950	85	120	156	72,5	15	M10	20	-	12	-	140	180	200	250	M8x30	35
110	3500	7000	1750	110	152	191	87	18	M10	25	-	12	-	140	180	200	250	M10x35	69
120	5750	11500	2875	120	165	213	102	20	M12	25	-	12	-	-	180	200	250	M12x40	120
140	10500	21000	5250	140	200	265	126	25	M12	30	-	15	-	-	-	200	250	M16x50	295
160	16000	32000	8000	160	230	305	145	31	M12	30	-	15	-	-	-	-	250	M16x55	295
166	19000	32000	9500	160	230	305	155	31	M16	30	70	17					M20x50	560	
196	22500	45000	11250	190	260	330	185	32	M16	40	90	24					M20x50	560	
216	32000	64000	16000	210	285	370	205	32	M20	50	110	26					M20x65	560	
256	52500	105000	26250	250	350	440	245	38	M20	70	130	31					M24x80	970	
306	86000	172000	43000	300	400	515	295	43	M24	70	130	36					M27x100	1450	
346	135000	270000	67500	340	460	590	335	55	M24	95	175	45					M30x110	1950	
406	210000	420000	105000	400	530	675	395	58,5	M24	95	175	50	acc. to customer's request				M36x130	3300	
168	25000	50000	12500	160	230	305	155	31	M16	30	70	17					M20x50	560	
198	30000	60000	15000	190	260	330	185	32	M16	40	90	24					M20x50	560	
218	42500	85000	21500	210	285	370	205	32	M20	50	110	26					M20x65	560	
258	70000	140000	35000	250	350	440	245	38	M20	70	130	31					M24x80	970	
308	115000	230000	57500	300	400	515	295	43	M24	70	130	36					M27x100	1450	
348	180000	360000	90000	340	460	590	335	55	M24	95	175	45					M30x110	1950	
408	280000	560000	140000	400	530	675	395	58,5	M24	95	175	50					M36x130	3300	

<sup>1)</sup> Other shaft distance dimensions available on request.  
For selection of coupling see page 123/124. Mounting instructions No. 47410 available at [www.ktr.com](http://www.ktr.com).

Ordering example:	RIGIFLEX®-N 120	A	Ø 100	Ø 120	200
	Coupling size	Type	Bore d <sub>1</sub>	Bore d <sub>2</sub>	Shaft distance dimension E