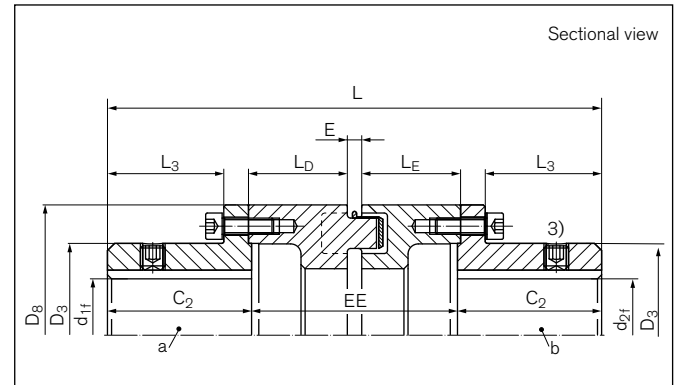


TSCHAN® Elastomer Jaw Couplings

Type Nor-Mex® H

Multi-part design, to remove the intermediate spacer. Disassembly of the pump impeller without axial movement of the driven parts



Dimensions / Technical data

- D₈** = Outer diameter hub
- T_{KNPb72}** = Coupling nominal torque using element Pb72
- T_{KNPb82}** = Coupling nominal torque using element Pb82
- n_{max}** = Max. rotation speed
- d_{1f max}** = Max. bore diameter d_{1f} with keyway or other form closure connection

- d_{2f max}** = Max. bore diameter d_{2f} with keyway or other form closure connection
- D₃** = Outer diameter hub
- C₂** = Guided length in hub boring d₂
- L** = Total length
- L₃** = Section length of hub
- L_D** = Spacer length
- L_E** = Spacer length

- E** = Gap width between left and right component
- F_E** = Tolerance of the gap width E
- EE** = Distance of the hubs
- GW_{ZW}** = Spacer weight
- GW_{ub}** = Weight, unbored

Size D ₈	Identifier	T _{KNPb72} ²⁾	T _{KNPb82} ²⁾	n _{max}	d _{1f max}	d _{2f max}	D ₃	C ₂
mm		Nm	Nm	1/min	mm	mm	mm	mm
67	WN0706-100	22	35	5000	30	30	45	30
67	WN0706-120	22	35	5000	30	30	45	30
67	WN0706-140	22	35	5000	30	30	45	30
82	WN0708-100	48	75	5000	35	35	53	40
82	WN0708-120	48	75	5000	35	35	53	40
82	WN0708-140	48	75	5000	35	35	53	40
97	WN0709-100	96	150	5000	45	45	66	50
97	WN0709-120	96	150	5000	45	45	66	50
97	WN0709-140	96	150	5000	45	45	66	50
112	WN0711-100	150	230	5000	50	50	79	60
112	WN0711-120	150	230	5000	50	50	79	60
112	WN0711-140	150	230	5000	50	50	79	60
128	WN0712-100	250	380	5000	60	60	90	70
128	WN0712-120	250	380	5000	60	60	90	70
128	WN0712-140	250	380	5000	60	60	90	70
128	WN0712-180	250	380	5000	60	60	90	70
148	WN0714-100	390	600	4500	65	65	107	80

To continue see next page

TSCHAN® Elastomer Jaw Couplings

Type Nor-Mex® H

Size D ₃	Identifier	T _{KNPb72} ²⁾	T _{KNPb82} ²⁾	n _{max}	d _{1f max}	d _{2f max}	D ₃	C ₂
mm		Nm	Nm	1/min	mm	mm	mm	mm
148	WN0714-140	390	600	4500	65	65	107	80
148	WN0714-180	390	600	4500	65	65	107	80
168	WN0716-100	630	980	4000	75	75	124	90
168	WN0716-140	630	980	4000	75	75	124	90
168	WN0716-180	630	980	4000	75	75	124	90
194	WN0719-100	1050	1650	3500	85	85	140	100
194	WN0719-140	1050	1650	3500	85	85	140	100
194	WN0719-180	1050	1650	3500	85	85	140	100
194	WN0719-250	1050	1650	3500	85	85	140	100
214	WN0721-100	1500	2400	3000	95	95	157	110
214	WN0721-140	1500	2400	3000	95	95	157	110
214	WN0721-180	1500	2400	3000	95	95	157	110
214	WN0721-250	1500	2400	3000	95	95	157	110
240	WN0724-100	2400	3700	2750	110	110	179	120
240	WN0724-140	2400	3700	2750	110	110	179	120
240	WN0724-180	2400	3700	2750	110	110	179	120
240	WN0724-250	2400	3700	2750	110	110	179	120
265	WN0726-100	3700	5800	2500	120	120	198	140
265	WN0726-140	3700	5800	2500	120	120	198	140
265	WN0726-180	3700	5800	2500	120	120	198	140
265	WN0726-250	3700	5800	2500	120	120	198	140
295	WN0729-140	4900	7550	2250	130	130	214	150
295	WN0729-180	4900	7550	2250	130	130	214	150
295	WN0729-250	4900	7550	2250	130	130	214	150
330	WN0733-140	6400	9900	2000	150	150	248	160
330	WN0733-180	6400	9900	2000	150	150	248	160
330	WN0733-250	6400	9900	2000	150	150	248	160

To continue see next page

TSCHAN® Elastomer Jaw Couplings

Type Nor-Mex® H

Identifier	L	L ₃	L _D	L _E	E	F _E	EE	G _{WZ} ¹⁾	G _{Wub}
	mm	mm	mm	mm	mm	mm	mm	kg	kg
WNO706-100	160	20,0	48,5	48,5	5	+/- 0,5	100	1,4	2,5
WNO706-120	180	20,0	48,5	68,5	5	+/- 0,5	120	1,7	2,8
WNO706-140	200	20,0	68,5	68,5	5	+/- 0,5	140	2,0	3,1
WNO708-100	180	28,0	48,5	48,5	5	+/- 1,0	100	2,0	4,0
WNO708-120	200	28,0	48,5	68,5	5	+/- 1,0	120	2,4	4,0
WNO708-140	220	28,0	68,5	68,5	5	+/- 1,0	140	2,8	4,9
WNO709-100	200	37,0	48,5	48,5	5	+/- 1,0	100	2,8	6,4
WNO709-120	220	37,0	48,5	68,5	5	+/- 1,0	120	3,5	7,0
WNO709-140	240	37,0	68,5	68,5	5	+/- 1,0	140	4,1	7,7
WNO711-100	220	46,5	48,0	48,0	7	+/- 1,0	100	3,8	9,5
WNO711-120	240	46,5	48,0	68,0	7	+/- 1,0	120	4,6	10,3
WNO711-140	260	46,5	68,0	68,0	7	+/- 1,0	140	5,4	11,1
WNO712-100	240	56,5	48,0	48,0	7	+/- 1,0	100	4,8	13,2
WNO712-120	260	56,5	48,0	68,0	7	+/- 1,0	120	5,8	14,2
WNO712-140	280	56,5	68,0	68,0	7	+/- 1,0	140	6,7	15,1
WNO712-180	320	56,5	88,0	88,0	7	+/- 1,0	180	8,6	17,0
WNO714-100	260	64,5	48,0	48,0	7	+/- 1,0	100	6,0	18,4
WNO714-140	300	64,5	48,0	88,0	7	+/- 1,0	140	8,4	20,8
WNO714-180	340	64,5	88,0	88,0	7	+/- 1,0	180	10,8	23,3
WNO716-100	280	73,5	48,0	48,0	7	+/- 1,5	100	7,6	26,0
WNO716-140	320	73,5	48,0	88,0	7	+/- 1,5	140	10,5	28,9
WNO716-180	360	73,5	88,0	88,0	7	+/- 1,5	180	13,3	31,8
WNO719-100	300	82,5	48,0	48,0	7	+/- 1,5	100	9,4	35,7
WNO719-140	340	82,5	48,0	88,0	7	+/- 1,5	140	12,9	39,1
WNO719-180	380	82,5	88,0	88,0	7	+/- 1,5	180	16,3	42,6
WNO719-250	450	82,5	123,0	123,0	7	+/- 1,5	250	22,4	48,7
WNO721-100	320	90,5	48,0	48,0	7	+/- 1,5	100	11,5	47,6
WNO721-140	360	90,5	48,0	88,0	7	+/- 1,5	140	15,7	51,8
WNO721-180	400	90,5	88,0	88,0	7	+/- 1,5	180	19,9	56,0
WNO721-250	470	90,5	123,0	123,0	7	+/- 1,5	250	27,2	63,3
WNO724-100	340	98,0	48,0	48,0	8	+/- 1,5	100	15,8	66,5
WNO724-140	380	98,0	48,0	88,0	8	+/- 1,5	140	19,9	70,6
WNO724-180	420	98,0	88,0	88,0	8	+/- 1,5	180	24,0	74,7
WNO724-250	490	98,0	123,0	123,0	8	+/- 1,5	250	31,8	82,5
WNO726-100	380	117,0	48,0	48,0	8	+/- 1,5	100	19,6	91,1
WNO726-140	420	117,0	48,0	88,0	8	+/- 1,5	140	23,6	95,1
WNO726-180	460	117,0	88,0	88,0	8	+/- 1,5	180	27,6	99,1
WNO726-250	530	117,0	123,0	123,0	8	+/- 1,5	250	38,0	109,5
WNO729-140	440	122,0	67,0	67,0	10	+/- 2,5	140	31,2	123,5
WNO729-180	480	122,0	87,0	87,0	10	+/- 2,5	180	37,9	130,2
WNO729-250	550	122,0	122,0	122,0	10	+/- 2,5	250	47,9	140,2
WNO733-140	460	128,0	67,0	67,0	10	+/- 2,5	140	40,9	171,7
WNO733-180	500	128,0	87,0	87,0	10	+/- 2,5	180	49,7	180,5
WNO733-250	570	128,0	122,0	122,0	10	+/- 2,5	250	64,5	195,3

¹⁾ Mass information for unbored coupling parts

²⁾ Attention on peak load - take into account maximum torque notified in the Nor-Mex® catalogue - data overview page 11

³⁾ Set screw on demand

Ordering example: Nor-Mex® H

Identifier	Pb	d _{1f}	d _{2f}	Further details*)
WNO714-180	72	65	50	*

*) Without any other specification, we deliver as a standard: with set screws and keyway acc. to DIN 6885-1, keyway side fit P9, bore tolerance H7

Subject to technical change.