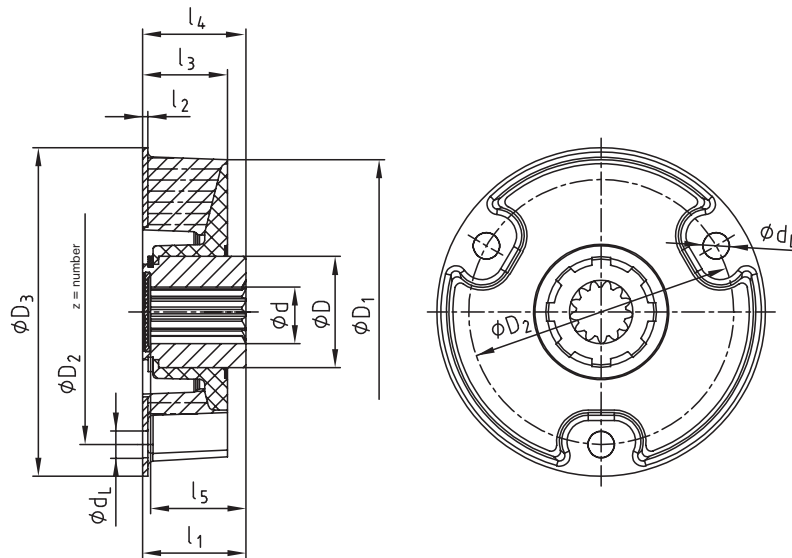


Type with 3 holes (EP 0853203/U.S. Patent 6,117,017)



- MONOLASTIC® – for the drive of diesel engine/hydraulic pump up to 100 kW
- Single-part design with flange fastening by three bolts
- Easy assembly of coupling
- Axial plug-in in combination with the pump shaft
- Compensating for high radial and angular displacements
- Available for pump gear shafts according to SAE and DIN



MONOLASTIC®																
Size	Elastomer hardness [Shore A]	Torque [Nm]			Dimensions [mm]											
		T _{KN}	T _{K max.}	T _{KW}	d	D	D ₁	D ₂	z	d _L	D ₃	l ₁	l ₂	l ₃	l ₄	l ₅
22	65	40	100	20	20	34	93	80	3	8,10	100	33	1,5	32	34	30
	70	100	300	50	25	42	115	100	3	10,10	124	40	2	32	40	38
28	65	160	400	80	32	50	140	125	3	12,10	150	42	2	42	43	38
	70	225	675	112												
50-140	70	260	650	130	32	50	167	140	3	14,10	175	46	3	35	46	43
50-165	70	300	750	150	32	50	175	165	3	16,15	200	46	3	35	46	43
50-170	70	300	750	150	32	50	175	170	3	16,15	200	46	3	35	46	43
60-165	70	400	1000	200	48	68	191	165	3	16,15	205	50	3	40	55	46

Technical data										
Size	Elastomer hardness [Shore A]	C _{dyn.} with 60 °C [Nm/rad]	Perm. damping power with 60 °C P _{KW} [W]	Permissible radial displacement with 2200 1/min ΔK _r [mm]	Permissible angular displacement with 2200 1/min ΔK _w [°]	Radial spring stiffness C _r [N/mm]	Mass moment of inertia [kgm ²]		Max. permissible operating speed n _{max.} [rpm]	
							J _A	J _L		
22	65	600	10	0,6		200	0,00017	0,00010	6000	
		900				300				
28	70	1300	15	0,5		400	0,00054	0,00033	6000	
		400								
32	70	2400	25	0,5	1	500	0,00120	0,00081	6000	
		500								
50-140	70	4200	35	0,5		1365	0,00210	0,00130	6000	
50-165		5600				40				0,5
50-170	7800	40	0,5				1500	0,00599	0,00358	
60-165	70					7800				