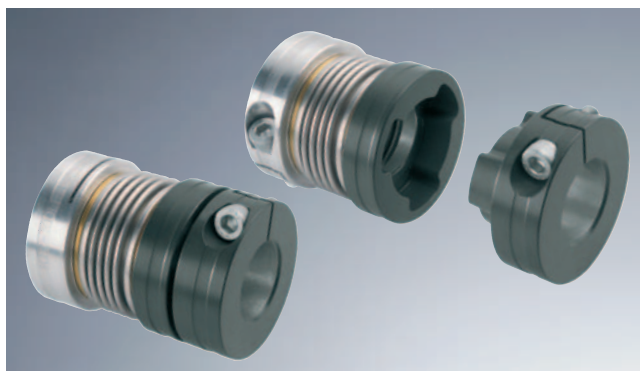
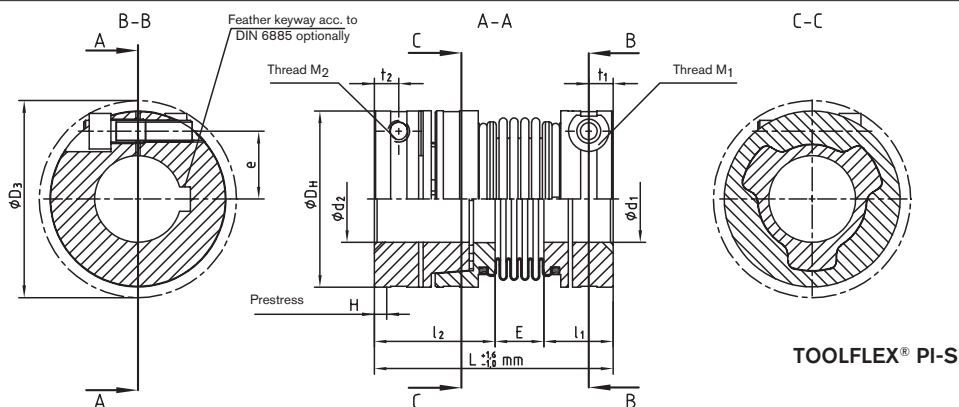


## Type PI



- Axial plug-in
- Backlash-free, torsionally stiff
- Maintenance-free
- Suitable for high temperatures due to flanged insert connection
- Good resistance to corrosion due to bellow made of stainless steel and aluminium clamping hubs
- Optionally type M (6 section bellows)
  - higher perm. displacements
- or Type S (4 section bellows, short design)
  - higher stiffness of torsion spring
  - lower mass moment of inertia



### TOOLFLEX® type PI material of hubs aluminium/material of bellow stainless steel

Size	Type	Dimensions [mm]													
		General							Clamping screw						
		min. d <sub>1</sub> ; d <sub>2</sub>	max. d <sub>1</sub>	max. d <sub>2</sub>	L <sup>1)</sup>	l <sub>1</sub>	l <sub>2</sub>	E	D <sub>H</sub>	H	M <sub>1</sub> ; M <sub>2</sub>	D <sub>3</sub>	e	t <sub>1</sub> ; t <sub>2</sub>	T <sub>A</sub> [Nm]
20	S	8	20	20	67,0	21,5	33,5	12,0	40	0,5 - 1	M5	43,5	14,5	6	6
	M				74,0			19,0							
30	S	10	30	28	73,5	23,0	33,5	17,0	55	0,5 - 1	M6	58,0	19,0	7	10
	M				82,5			26,0							
38	S	12	38	32	87,5	25,5	44,0	18,0	65	0,5 - 1,5	M8	72,6	25,0	9	25
	M				99,5			30,0							
42	S	14	42	35	93,0	30	39,0	24,0	70	0,5 - 1,5	M8	76,1	25,0	9	25
	M				104,0			35,0							
45	S	14	45	42	96,0	32,0	41,5	22,5	83	0,5 - 1,5	M10	89,0	30,0	11	49
	M				112,5			39,0							

### Technical data

Size	Type	Bellow torque T <sub>KN</sub> [Nm] <sup>2)</sup>	Speed n <sup>3)</sup> [rpm]	Moment of inertia <sup>4)</sup> [x10 <sup>-6</sup> kgm <sup>2</sup> ]	Torsional stiffness C <sub>T</sub> [Nm/rad]	Axial spring stiffness [N/mm]	Radial spring stiffness [N/mm]	Perm. displacements		Weight <sup>4)</sup> [kg]
								Radial [mm]	Angular [degrees]	
20	S	15	11950	37	6600	63	189	0,15	1,0	0,15
	M			38	4900	42	126	0,20	1,5	0,16
30	S	35	8700	140	11500	97	233	0,20	1,5	0,29
	M			145	10200	65	155	0,25	2,0	0,31
38	S	65	7350	329	21500	108	318	0,20	1,5	0,50
	M			346	15100	72	212	0,25	2,0	0,52
42	S	95	6820	396	31500	120	499	0,20	1,5	0,49
	M			427	22000	80	333	0,25	2,0	0,52
45	S	150	5750	1031	55000	132	738	0,25	1,5	0,93
	M			1127	41000	88	492	0,30	2,0	1,00

### Transmittable friction torque T<sub>R</sub> [Nm] of clamping hub without keyway type 2.5 for Ød<sub>1</sub>/Ød<sub>2</sub>

Size	Ø8	Ø9	Ø10	Ø11	Ø12	Ø14	Ø15	Ø16	Ø18	Ø19	Ø20	Ø24	Ø25	Ø28	Ø30	Ø32	Ø35	Ø38	Ø40	Ø42
20	17,6	18,1	18,6	19,1	19,5	20,5	21,0	21,4	22,4	22,9	23,3									
30				33,1	33,8	35,1	35,8	36,5	37,8	38,5	39,2	41,9	42,5	44,6	45,9					
38						79,2	80,4	81,7	84,2	85,4	86,6	91,6	92,8	96,5	99,0	102				
42						79,2	80,4	81,7	84,2	85,4	86,6	91,6	92,8	96,5	99,0	102	105			
45										157	165	167	173	177	181	187	193	197	200	

<sup>1)</sup> When being plugged in

<sup>2)</sup> For selection see page 168

<sup>3)</sup> With v = 25 m/s

<sup>4)</sup> Figures refer to the complete coupling with max. bores

Ordering example:	TOOLFLEX® 30 PI-S	d <sub>1</sub> - Ø22	d <sub>2</sub> - Ø18
	Coupling size	Finish bore	Finish bore