

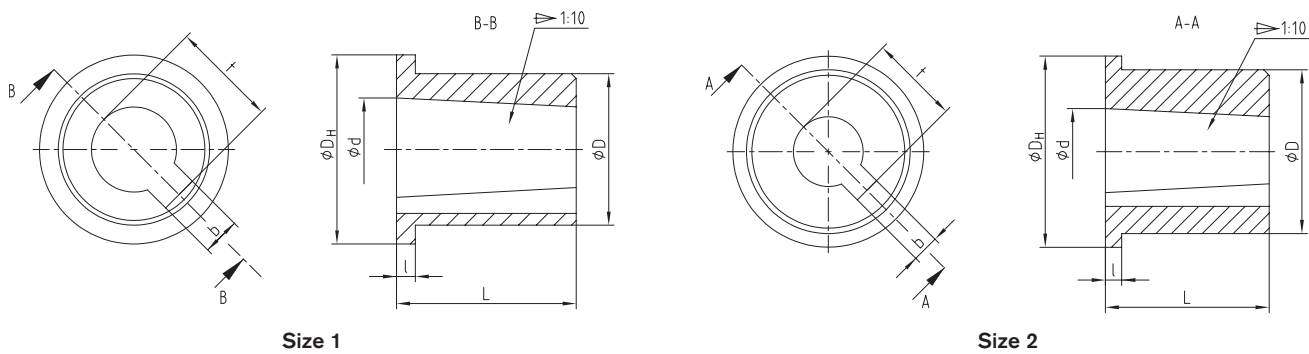
### Basic programme

Basic assortment of TOOLFLEX® type S and M with thread for setscrews (finish bore [mm] with ISO tolerance F7)

Size	Hub design	Ø2	Ø3	Ø4	Ø5	Ø6	Ø6,35	Ø7	Ø8	Ø9	Ø9,52	Ø10	Ø11	Ø12	Ø14	Ø16
5	1.1	●	●	●	●											
7	1.1		●	●	●	●		●	●							
9	1.1			●	●	●		●	●	●						
12	1.1				●	●		●	●	●	●	●		●	●	
16	1.1					●		●	●	●		●	●	●	●	●
20	1.1					●		●	●	●		●	●	●	●	●

Basic assortment of TOOLFLEX® type M and S with clamping hubs (finish bore [mm] with ISO tolerance F7)

Size		Ø3	Ø4	Ø5	Ø6	Ø6,35	Ø7	Ø8	Ø9	Ø9,52	Ø10	Ø11	Ø12	Ø14	Ø15	Ø16	Ø18	Ø19	Ø20	Ø22	Ø24	Ø25	Ø28	Ø30	Ø32	Ø35	Ø38	Ø40	Ø42	Ø45	Ø48	Ø50	Ø55	
7		●	●	●	●	●	●																											
9		●	●	●	●	●	●	●	●	●																								
12			●	●	●	●	●	●	●	●	●	●	●																					
16	■		●	●	●	●	●	●	●	●	●	●	●	●	●	●	●	●	●	●	●	●	●	●	●	●	●	●	●	●	●	●	●	
20	■										●	●	●	●	●	●	●	●	●	●	●	●	●	●	●	●	●	●	●	●	●	●	●	
30	■										●	●	●	●	●	●	●	●	●	●	●	●	●	●	●	●	●	●	●	●	●	●	●	
38	■																																	
42	■																																	
45	■																																	
55	■																																	
65	■																																	



Size 1

Size 2

Type M and S sleeve dimensions [mm] for FANUC engines

Sleeve size	L	l	D <sub>H</sub>	D	d <sup>+0,05</sup>	b <sup>JS9</sup>	t <sup>+0,1</sup>	Taper	Comment
1	16	2	20	16	10,9	4	12,2	1:10	For TOOLFLEX® size 16-20
2	30	3	35	30	15,8	5	17,9	1:10	For TOOLFLEX® size 30-45

Basic assortment of TOOLFLEX® KN (finish bore [mm] with ISO tolerance F7)

Size		Ø14	Ø15	Ø16	Ø18	Ø19	Ø20	Ø22	Ø24	Ø25	Ø28	Ø30	Ø32	Ø35	Ø38	Ø40	Ø42	Ø45	Ø48	
30	■	●	●	●	●	●	●	●												
38	■	●	●	●	●	●	●	●	●	●	●									
42	■				●	●	●	●	●	●	●	●	●	●						
45	■				●	●	●	●	●	●	●	●	●	●	●					
55	■										●	●	●	●	●	●	●	●	●	

■ Pilot bore  
Further dimensions on request

ROTEX® GS  
COUNTEX®  
TOOLFLEX®  
RADEX®-NC