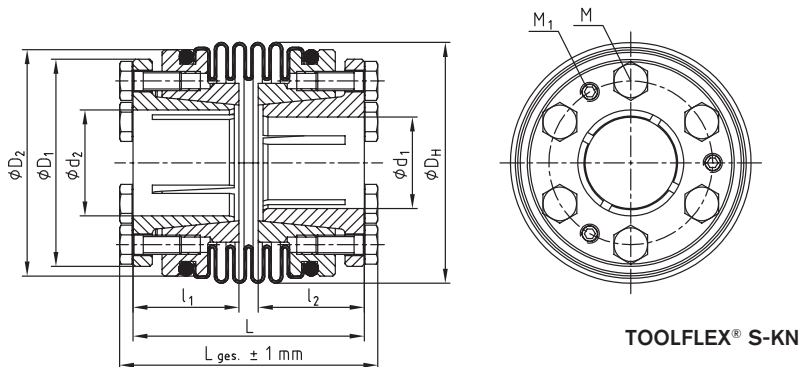


Type KN



- Backlash-free, torsionally stiff
- Non-positive bellow-hub connection
- High friction torques
- Maintenance-free
- Good properties of concentric running with high speeds
- Maximum speed up to 40 m/s circumferential speed



TOOLFLEX® S-KN

TOOLFLEX® Type KN Hub material steel / bellow material stainless steel

Size	Bellow torque $T_{KN}^{1)}$ [Nm]	Dimensions [mm]															
		Finish bore		L		$L_{ges.}$		$l_1; l_2$			Clamping screws			Pull-off threads			
		min. d	max. d	4 ²⁾	6 ³⁾	4 ²⁾	6 ³⁾	l_1	l_2	D_H	D_1	D_2	M	T_A [Nm]	number z	M_1	number z
30	35	12	22	48	57	54	63	22	50	43	47	M4	2,9	12	M4	6	1,2
38	65	12	28	56	68	63	75	26	60,5	52	56	M5	6	12	M5	6	1,4
42	95	14	35	64	75	71	82	29	66	60	63	M5	6	12	M5	6	1,4
45	150	15	40	74,5	91	82,5	99	34	82	68	77	M6	14	12	M6	6	3
55 ⁴⁾	340	15	56	95,5	109	106	120	40	97	95	95	M8	35	12	M8	6	6

Transmittable friction torques T_R [Nm] of the taper hubs KN

Size	Ø14	Ø15	Ø16	Ø19	Ø20	Ø24	Ø25	Ø28	Ø30	Ø32	Ø35	Ø38	Ø40	Ø42	Ø45	Ø48	Ø50	Ø55
30	50	58	66	71	79													
38		81	92	130	103	149	161	202										
42				105	117	168	131	164	189	215	257							
45					230	332	230	288	331	376	451	531	589					
55 ⁴⁾							483	606	696	792	585	690	764	843	967	1101	1194	1445

¹⁾ For selection see page 168

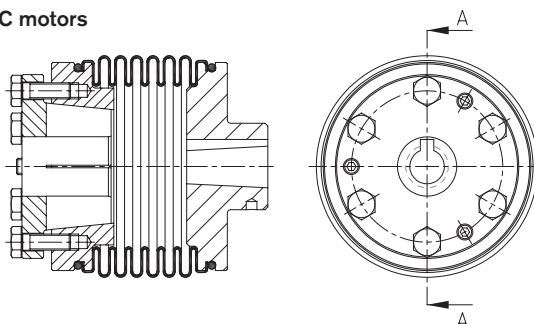
²⁾ Type S = 4 section bellows

³⁾ Type M = 6 section bellows

⁴⁾ Hubs from steel welded with bellow

⁵⁾ After assembly of the clamping screws (M) tighten the pull-off thread (M_1) to the torque T_{A1} indicated.

Other types: TOOLFLEX® KN for FANUC motors



Ordering example:

TOOLFLEX® 38 S-KN	Ø15	Ø22
Coupling size	Finish bore	Finish bore