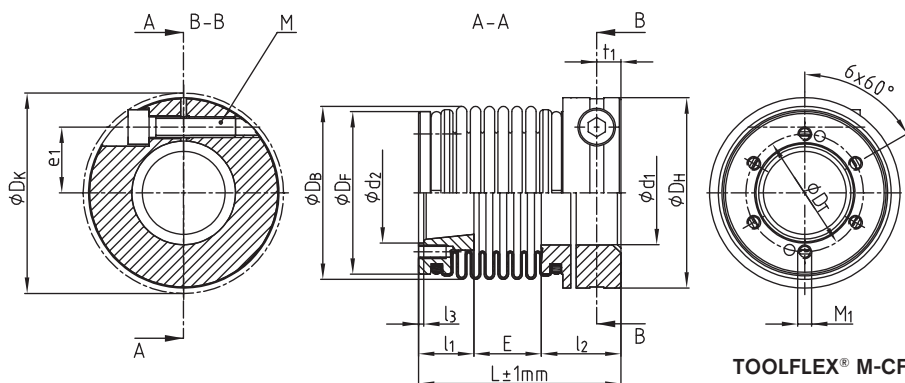


Type CF



- Backlash-free, torsionally stiff
- Maintenance-free
- Non-positive bellow-hub connection
- Suitable for high temperatures due to flanged insert connection (max. 200 °C)
- Available as type M (6 section bellows) and S (4 section bellows)
- Available as special design with 1, 2 or 3 section bellows



TOOLFLEX® Type M-CF and S-CF Hub material aluminium (size 55 steel)/bellow material stainless steel

Size	Finish bore		Dimensions [mm]										Clamping screw				Flange	
	min. d ₁	max. d ₁	D _H	D _B	D _F	d ₂ H7	l ₃	l ₁	l ₂	E	L	D _K	e ₁	t ₁	M	T _A [Nm]	D _T	M ₁
30	10	20	55	50	47	25	1,5	16	23,0	17,0 ¹⁾	56,0 ¹⁾	58,0	19	7	M6	10	30	M4
						29				26,0 ²⁾	65,0 ²⁾						34	
38	12	38	65	60,5	55,75	29	1,5	18	25,5	18,0 ¹⁾	61,5 ¹⁾	72,6	25	9	M8	25	35	M5
						36				30,0 ²⁾	73,5 ²⁾						42	
42	14	42	70	66	62,95	36	1,5	21	30,0	24,0 ¹⁾	75,0 ¹⁾	76,1	27	9	M8	25	42	M5
						43				35,0 ²⁾	86,0 ²⁾						49	
45	14	45	83	82	77	38	1,5	23	32,0	22,5 ¹⁾	77,5 ¹⁾	89,0	30	11	M10	49	45	M6
						49				39,0 ²⁾	94,0 ²⁾						56	
55 ⁴⁾	20	55	100	97	95	51	1,5	28	40,0	31,0 ¹⁾	99,0 ¹⁾	106,0	37	14	M12	120	60	M8
						68				45,0 ²⁾	113,0 ²⁾						78	

Technical data

Size	Type	Bellow torque T _{KN} [Nm] ³⁾	Speed n ⁵⁾ [rpm]	Torsional stiffness C _T [Nm/rad]	Axial spring stiffness [N/mm]	Radial spring stiffness [N/mm]	Perm. displacements		
							Axial [mm]	Radial [mm]	Angular [degrees]
30	S	35	8700	14800	97	233	±0,5	0,20	1,5
	M				65	155	±0,8	0,25	2,0
38	S	65	7350	24900	108	318	±0,6	0,20	1,5
	M				72	212	±0,8	0,25	2,0
42	S	95	6820	36500	120	499	±0,6	0,20	1,5
	M				80	333	±0,8	0,25	2,0
45	S	150	5750	64000	132	738	±0,9	0,25	1,5
	M				88	492	±1,0	0,30	2,0
55 ⁴⁾	S	340	4800	96100	160	894	±1,0	0,25	1,5
	M				107	598	±1,0	0,30	2,0

Transmittable friction torque T_R [Nm] of the clamping hub without keyway type 2.5

Size	Ø10	Ø11	Ø12	Ø14	Ø15	Ø16	Ø18	Ø19	Ø20	Ø24	Ø25	Ø28	Ø30	Ø32	Ø35	Ø38	Ø40	Ø42	Ø45	Ø50	Ø55	
30		33,1	33,8	35,1	35,8	36,5	37,8	38,5	39,2	41,9	42,5	44,6	45,9									
38							84,2	85,4	86,6	91,6	92,8	96,5	99,0	102	105	109						
42				84,2	85,4	86,6	89,1	90,3	91,6	96,5	97,8	102	104	106	110	114	116	119				
45									157	165	167	173	177	181	187	193	197	200	206			
55 ⁴⁾										397	401	413	421	429	442	454	462	470	482	502	523	

¹⁾ Type S = 4 section bellows
²⁾ Type M = 6 section bellows
³⁾ For selection see page 168
⁴⁾ Hubs from steel welded with bellow
⁵⁾ With v = 25m/s

Ordering example:	TOOLFLEX® 38 M-CF	Ø15	Ø29 - Ø35 - 6xM5
	Coupling size	Finish bore	Flange dimensions (d ₂ - D _T - M ₁)