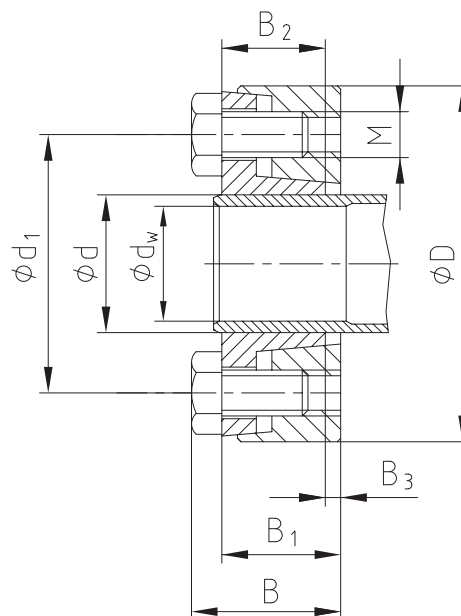


KTR 620 – Technical data



Frictionally engaged connection of a DATAFLEX® torque measuring shaft with KTR 620



CLAMPEX® – KTR 620															
d x D [mm]	Shaft diameter d_w [mm]	Transmittable torque or axial force		Dimensions [mm]					Clamping screws DIN EN ISO 4017 - 10.9 $\mu_{ges.}=0,10$			Forcing thread		Surface pressure clamping set/hollow shaft	Weight [-kg]
		T [Nm]	F_{ax} [kN]	B	B ₁	B ₂	B ₃	d ₁	M	z number	T _A [Nm]	M ₁	z ₁	P _H [N/mm ²]	
16 x 41	13	85	13	19,0	15	13,5	1,5	28	M6	3	12	M6	2	281	0,15
	14	105	15												
20 x 47	17	155	18	19,0	15	13,5	1,5	32	M6	4	12	M6	2	288	0,17
	18	175	19												
24 x 50	19	235	24	22,0	18	16	2	36	M6	5	12	M6	2	266	0,25
	22	305	28												
30 x 60	24	390	33	24,0	20	18,8	2	44	M6	6	12	M6	2	256	0,30
	25	430	34												
36 x 72	26	480	37	27,5	22	20	2	52	M8	5	30	M8	2	256	0,49
	28	510	38												
38 x 72	30	690	46	29,5	24	22	2	54	M8	6	30	M8	2	253	0,61
	33	820	50												
40 x 80	34	910	54	31,5	26	23,5	2,5	61	M8	8	30	M8	2	254	0,84
	35	850	49												
44 x 80	37	980	53	34,5	29	26	3	68	M8	6	30	M8	2	231	1,20
	38	1180	62												
50 x 90	40	1320	66	38,0	31	27	4	72	M8	8	30	M8	2	249	1,50
	42	1470	70												
55 x 100	42	1400	67	34,5	29	26	3	80	M8	8	30	M8	2	223	1,20
	45	1650	73												
60 x 110	48	1900	79	38,0	31	27	4	86	M8	9	30	M8	3	223	1,50
	50	2050	82												
62 x 110	52	2200	85	34,5	29	26	3	80	M8	9	30	M8	3	216	1,50
	50	1900	76												
68 x 115	55	2450	89	38,0	31	27	4	86	M8	9	30	M8	3	222	1,60
	60	3000	100												
75 x 138	55	2650	96	38,0	31	27	4	100	M10	10	59	M10	2	227	2,60
	60	3250	108												
80 x 141	65	3850	118	38,0	31	27	4	104	M10	10	59	M10	2	224	2,80
	60	3350	112												
80 x 141	65	3980	122	38,0	31	27	4	104	M10	10	59	M10	2	224	2,80
	70	4620	132												

Other sizes on request.
Inner ring slotted up to size 40 x 80, all sizes of outer ring phosphated.