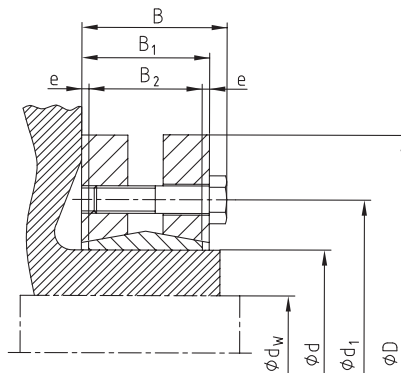


KTR 603 – Technical data



| CLAMPEX® – KTR 603 | | | | | | | | | | | | | | |
|--------------------|------------------------------------|-------------------------------------|----------------------|-----------------|----------------|----------------|-----|----------------|--|----------|---------------------|--|--------------|-----------------|
| d x D [mm] | Shaft diameter d _w [mm] | Transmittable torque or axial force | | Dimensions [mm] | | | | | Clamping screws DIN EN ISO 4014 - 10.9 $\mu_{ges.}=0,10$ | | | Surface pressure clamping set/hollow shaft | Weight [-kg] | Stock programme |
| | | T [Nm] | F _{ax} [kN] | B | B ₁ | B ₂ | e | d ₁ | M | z number | T _A [Nm] | P _H [N/mm ²] | | |
| 14 x 38 | 10 | 28 | 5 | 14,5 | 11 | 9 | 1,0 | 24 | M5 ¹⁾ | 4 | 3,5 | 388 | 0,15 | ● |
| | 11 | 38 | 7 | | | | | | | | | | | |
| | 12 | 50 | 9 | | | | | | | | | | | |
| 16 x 41 | 12 | 50 | 9 | 18,5 | 15 | 11 | 2,0 | 26 | M5 ¹⁾ | 5 | 4 | 310 | 0,20 | |
| | 13 | 70 | 10 | | | | | | | | | | | |
| | 14 | 90 | 13 | | | | | | | | | | | |
| 24 x 50 | 19 | 180 | 26 | 22,5 | 19 | 14 | 2,5 | 36 | M5 ¹⁾ | 6 | 5 | 286 | 0,20 | ● |
| | 20 | 210 | 27 | | | | | | | | | | | |
| | 21 | 250 | 29 | | | | | | | | | | | |
| 30 x 60 | 24 | 310 | 25 | 24,5 | 21 | 16 | 2,5 | 44 | M5 ¹⁾ | 6 | 6 | 233 | 0,30 | ● |
| | 25 | 340 | 27 | | | | | | | | | | | |
| | 26 | 380 | 29 | | | | | | | | | | | |
| 36 x 72 | 28 | 460 | 33 | 27 | 23 | 18 | 2,5 | 52 | M6 | 5 | 12 | 307 | 0,45 | ● |
| | 30 | 590 | 39 | | | | | | | | | | | |
| | 31 | 630 | 40 | | | | | | | | | | | |
| 44 x 80 | 32 | 630 | 40 | 29 | 25 | 20 | 2,5 | 61 | M6 | 7 | 12 | 317 | 0,60 | ● |
| | 35 | 780 | 44 | | | | | | | | | | | |
| | 36 | 860 | 48 | | | | | | | | | | | |
| 50 x 90 | 38 | 940 | 49 | 31 | 27 | 22 | 2,5 | 70 | M6 | 8 | 12 | 289 | 0,80 | ● |
| | 40 | 1100 | 55 | | | | | | | | | | | |
| | 42 | 1300 | 62 | | | | | | | | | | | |
| 55 x 100 | 42 | 1200 | 57 | 34 | 30 | 23 | 3,5 | 75 | M6 | 8 | 12 | 252 | 1,10 | ● |
| | 45 | 1500 | 66 | | | | | | | | | | | |
| | 48 | 1900 | 79 | | | | | | | | | | | |
| 62 x 110 | 48 | 1800 | 75 | 34 | 30 | 23 | 3,5 | 86 | M6 | 10 | 12 | 279 | 1,30 | ● |
| | 50 | 2200 | 88 | | | | | | | | | | | |
| | 52 | 2400 | 92 | | | | | | | | | | | |
| 68 x 115 | 50 | 2000 | 80 | 34 | 30 | 23 | 3,5 | 86 | M6 | 10 | 12 | 255 | 1,40 | ● |
| | 55 | 2500 | 91 | | | | | | | | | | | |
| | 60 | 3100 | 103 | | | | | | | | | | | |
| 75 x 138 | 55 | 2500 | 92 | 37,5 | 32 | 25 | 3,5 | 100 | M8 | 7 | 30 | 273 | 1,70 | ● |
| | 60 | 3200 | 107 | | | | | | | | | | | |
| | 65 | 3900 | 121 | | | | | | | | | | | |
| 80 x 145 | 60 | 3200 | 107 | 37,5 | 32 | 25 | 3,5 | 100 | M8 | 7 | 30 | 256 | 2,20 | ● |
| | 65 | 3900 | 120 | | | | | | | | | | | |
| | 70 | 4600 | 131 | | | | | | | | | | | |
| 85 x 155 | 65 | 4800 | 148 | 43,5 | 38 | 30 | 4,0 | 114 | M8 | 10 | 30 | 285 | 3,40 | |
| | 70 | 6100 | 175 | | | | | | | | | | | |
| | 75 | 7400 | 201 | | | | | | | | | | | |
| 90 x 155 | 65 | 4700 | 145 | 44,5 | 39 | 30 | 4,5 | 114 | M8 | 10 | 30 | 271 | 3,30 | ● |
| | 70 | 6000 | 172 | | | | | | | | | | | |
| | 75 | 7200 | 194 | | | | | | | | | | | |

● Clamping sets available from stock.

¹⁾ The clamping screws are designed as per DIN EN ISO 4014 – 8.8 mit $\mu_{ges.}=0,12$
Other sizes on request.