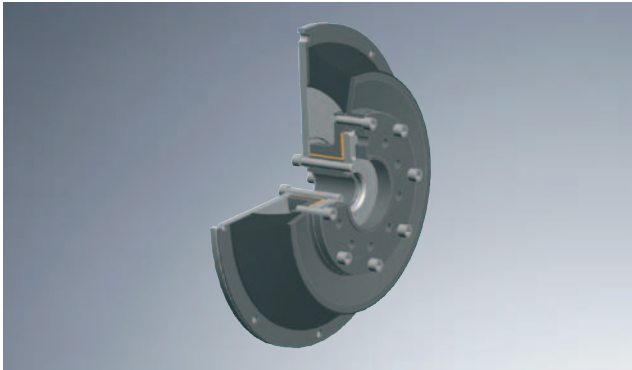
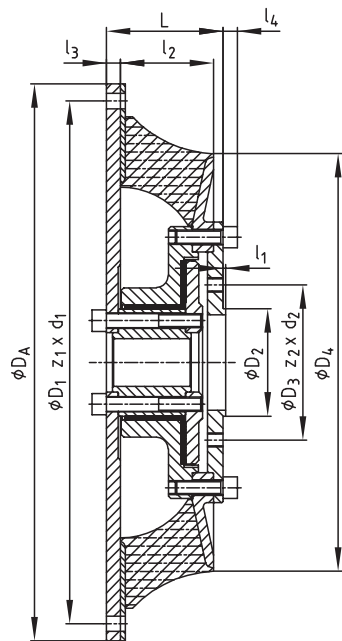


Type HEG for cardan shaft connection

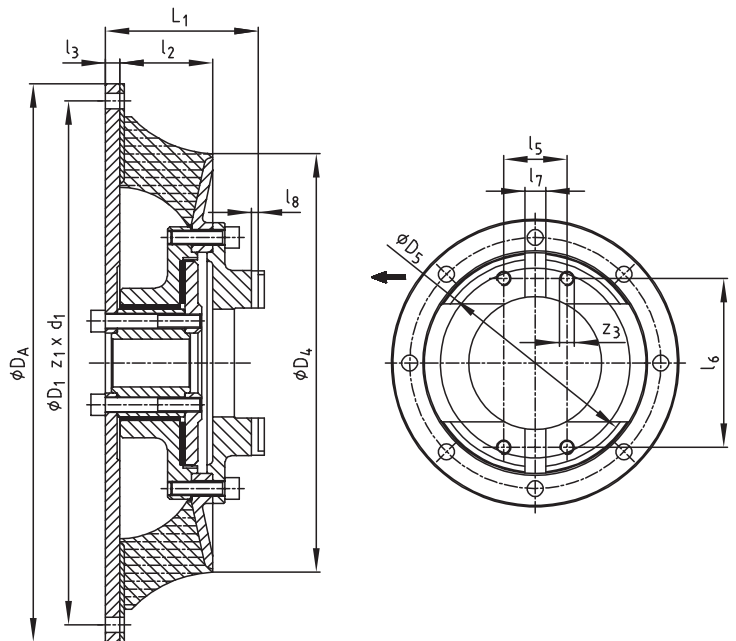


- Highly-flexible cardan shaft auxiliary coupling for I. C.-engines
- Available in different kinds of elastomer hardness
- High torsional flexibility
- Excellent damping properties due to additional friction damping
- Reduction of torque peaks in the elastomer part
- Radial plain bearing in maintenance-free design
- Cardan shaft connection for usual designs
- Other sizes on request

Type HEG1



Type HEG2



BoWex-ELASTIC® Type HEG1 and Type HEG2

Size	Flywheel connection to SAE-J 620					Metric flange connection HEG1 dimensions [mm]										MECHANICS cardan shaft connection HEG2 dimensions [mm]								Dimensions [mm]			Weight [kg]	Mass moment of inertia			
	8"	10"	11 1/2"	14"	16"	58	65	75	90	100	120	150	180	l4	L	2 C	4 C	5 C	6 C	7 C	8,5 C	8 C	L1	D4	l2	l3		JA [kgm²]	JL [kgm²]		
48	●					●	●	●						8	58,5										163	43,5	8	7	0,03	0,006	
G 65		●					●	●	●	●	●	●		8	66	●	●	●							71	205	48,0	10	12	0,07	0,02
			●					●	●	●	●	●				●	●	●									14	0,10	0,02		
80		●						●	●	●	●	●		10	88,5		●	●	●						104	265	68,5	23	21	0,11	0,06
G 80			●					●	●	●	●	●		10	96		●	●	●									12	23	0,17	0,06
				●				●	●	●	●	●					●	●	●						110	302	74,0	23	26	0,18	0,09
100				●				●	●	●	●	●		12	98				●	●	●				128	350	78,0	16	41	0,63	0,19
125				●				●	●	●	●	●		12	111						●	●						18	56	0,74	0,42
					●			●	●	●	●	●									●	●			135	416	96,0	12	59	0,97	0,42

Flywheel connection to SAE-J 620 [mm]				
Size	DA	D1	z1	d1
8"	263,52	244,47	6	11
10"	314,32	295,27	8	11
11 1/2"	352,42	333,37	8	11
14"	466,72	438,15	8	14
16"	517,50	489,00	8	14

Metric flange connection HEG1 [mm]					
Size	D2	l1	D3	z2	d2
58	30	1,0	47,0	4	M5
65	35	1,0	52,0	4	M6
75	42	1,5	62,0	6	M6
90	47	2,0	74,5	4	M8
100	57	2,0	84,0	6	M8
120	75	2,0	101,5	8	M10
150	90	2,5	130,0	8	M12
180	110	2,5	155,5	8	M14

MECHANICS cardan shaft connection HEG 2 [mm]						
Size	D5	l5	l6	l7	l8	z3
2 C	79,35	33,3	59,5	9,50	3,8	M8
4 C	107,92	36,5	87,3	9,50	3,8	M8
5 C	115,06	42,9	88,9	14,26	5,1	M10
6 C	140,46	42,9	114,3	14,26	5,1	M10
7 C	148,39	49,2	117,5	15,85	6,0	M12
8,5 C	165,08	71,4	123,8	15,85	6,0	M12
8 C	206,32	49,2	174,6	15,85	6,0	M12