
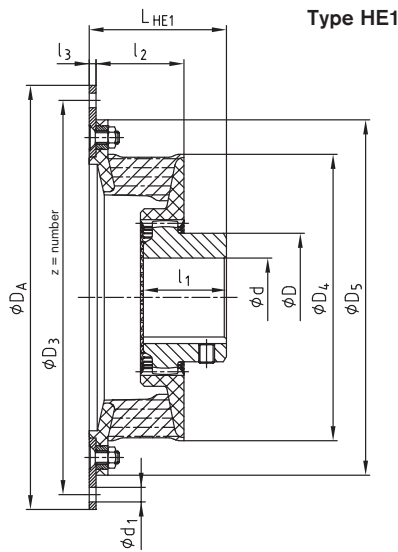


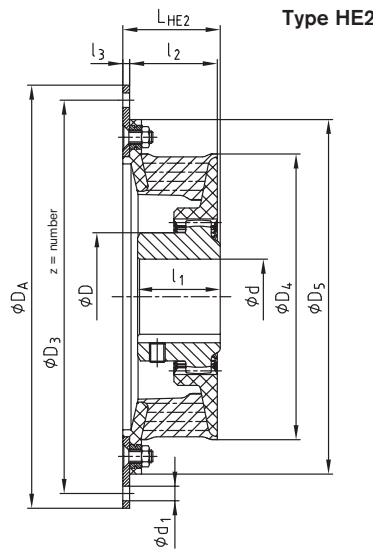
### Type HE1 and HE2



- Flange coupling with flanges according to SAE and special dimensions for mounting to I. C.-engines
- Easy assembly by axial plug-in
- Compensating for misalignment on driving and driven side
- Use of coupling hubs from the BoWex® standard programme
- Finish bore according to ISO fit H7, keyway to DIN 6885, sheet 1 (JS9) - inch bores, taper bores, spline clamping hubs
- Available in the hardness 40, 50 and 65 Shore A
-  Approved according to EC Standard 94/9/EC



Type HE1



Type HE2

| Flange dimensions according SAE J 620 [mm] |        |        |   |    |
|--|--------|--------|---|----|
| Size                                       | DA     | D3     | z | d1 |
| 6 1/2"                                     | 215,90 | 200,02 | 6 | 9  |
| 7 1/2"                                     | 241,30 | 222,25 | 8 | 9  |
| 8"   | 263,52 | 244,47 | 6 | 11 |
| 10"  | 314,32 | 295,27 | 8 | 11 |
| 11 1/2"                                    | 352,42 | 333,37 | 8 | 11 |
| 14"  | 466,72 | 438,15 | 8 | 13 |

| BoWex-ELASTIC® Type HE1 and HE2 |             |      |  |        |    |     |         |     |                 |    |     |     |     |    |      |                                       |  |           |           |  |
|---------------------------------|-------------|------|--|--------|----|-----|---------|-----|-----------------|----|-----|-----|-----|----|------|---------------------------------------|--|-----------|-----------|--|
| Size                            | Bore d [mm] |      | Flange connection according to SAE - J 620 |        |    |     |         |     | Dimensions [mm] |    |     |     |     |    |      | Weight with pilot bored coupling [kg] | Mass moment of inertia with pilot bored coupling |           |           |  |
|                                 | Pilot bored | max. | 6 1/2"                                     | 7 1/2" | 8" | 10" | 11 1/2" | 14" | l3              | l2 | D4  | D5  | D   | l1 | LHE1 |                                       | LHE2   | JA [kgm²] | JL [kgm²] |  |
| 42 HE                           | -           | 42   | ●  | ●      |    |     |         |     | 4               | 45 | 146 | 180 | 65  | 42 | 70   | 50                                    | 2,7  | 0,0061    | 0,0014    |  |
|                                 |             |      |  |        | ●  |     |         |     |                 |    |     |     |     |    |      |                                       |  |           |           |  |
| 48 HE                           | -           | 48   | ●  | ●      | ●  |     |         |     | 4               | 45 | 164 | 198 | 68  | 50 | 78   | 50                                    | 2,9  | 0,0106    | 0,0019    |  |
|                                 |             |      |  |        |    | ●   |         |     |                 |    |     |     |     |    |      |                                       |  |           |           |  |
| 65 HE                           | 21          | 65   |  |        |    | ●   |         |     | 5               | 55 | 205 | 244 | 96  | 55 | 85   | 62                                    | 3,1  | 0,0148    | 0,0019    |  |
|                                 |             |      |  |        |    |     | ●       |     |                 |    |     |     |     |    |      |                                       |  |           |           |  |
| 80 HE                           | 31          | 80   |  |        |    |     | ●       |     | -               | 70 | 266 | -   | 124 | 90 | 126  | 74                                    | 3,9  | 0,0298    | 0,0019    |  |
|                                 |             |      |  |        |    |     |         |     |                 |    |     |     |     |    |      |                                       |  |           |           |  |
| G 80 HE                         | 31          | 80   |  |        |    |     |         | ●   | -               | 80 | 302 | -   | 124 | 90 | 136  | 84                                    | 6,4  | 0,0377    | 0,0064    |  |
|                                 |             |      |  |        |    |     |         |     |                 |    |     |     |     |    |      |                                       |  |           |           |  |
|                                 |             |      |  |        |    |     |         | ●   | 6               |    |     | 356 |     |    | 142  | 90                                    | 7,2  | 0,0594    | 0,0064    |  |
|                                 |             |      |  |        |    |     |         |     |                 |    |     |     |     |    |      |                                       | 10,9   | 0,0211    | 0,0283    |  |
|                                 |             |      |  |        |    |     |         |     |                 |    |     |     |     |    |      |                                       | 13,0   | 0,0726    | 0,0283    |  |
|                                 |             |      |  |        |    |     |         |     |                 |    |     |     |     |    |      |                                       | 12,5   | 0,0402    | 0,0428    |  |
|                                 |             |      |  |        |    |     |         |     |                 |    |     |     |     |    |      |                                       | 17,3   | 0,2251    | 0,0428    |  |

Ordering-example:

|                   |      |                    |   |                     |                             |
|-------------------|------|--------------------|---|---------------------|-----------------------------|
| BoWex-ELASTIC® 42 | HE1  | 40                 | 8   | 70                  | U                           |
| Coupling size     | Type | Elastomer hardness | Flange diameter DA acc. to SAE or special | Mounting length LHE | Unbored or with finish bore |