

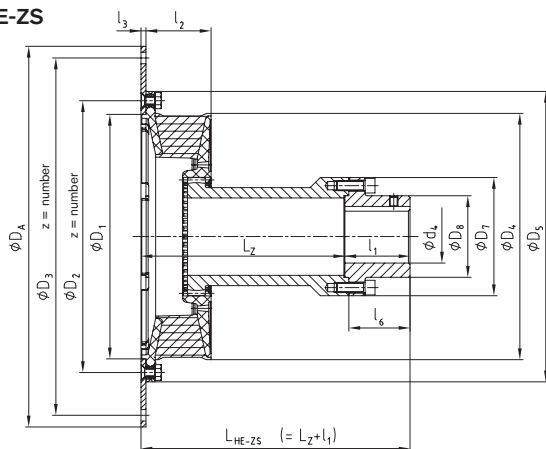
Type HE-ZS and type HEW



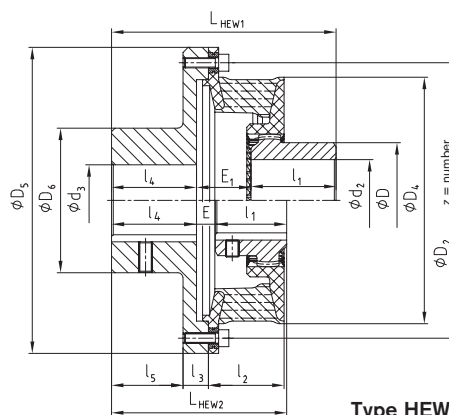
- Highly flexible coupling to be mounted to I. C.-engines and electric motors
- Elastomer parts available in the hardness 40, 50 and 65 Shore A
- High degree of compensating for misalignment
- Type HE-ZS with flange connection according to SAE-J 620 and dismantable part for pump drives
- Type HEW1/HEW2 highly flexible shaft coupling
- Finish bore acc. to ISO fit H7, feather keyway acc. to DIN 6885 sheet 1 - JS9
- ☒ approved and confirmed acc. to EC standard 94/9/EG
- Type HE-ZS with flange hub also available as shaft connection with dismantable part

BoWex®
BoWex® FLE-PA
BoWex-ELASTIC®
MONOLASTIC®

Type HE-ZS



Type HEW1



Type HEW2

BoWex-ELASTIC® Type HE-ZS																												
Size	Max. finish bore d4	Flange connection to SAE-J 620 DA for HE-ZS										Dimensions [mm]						Dismountable part HE-ZS LZ [mm]				Weight with max. bore [kg]	Mass moment of inertia [kgm²]					
		6 1/2"	7 1/2"	8"	10"	11 1/2"	14"	16"	18"	21"	24"	D1	D4	D5	D7	D8	l1	l2	l3	l6	100		120	140	180	250	JA	JL
48	28	●										160	164	200	78	45	40	48	10		●	●				2,9 ¹⁾	0,0026	0,0033
			●															37	4	37	●	●				3,6 ¹⁾	0,0106	0,0033
				●																		●	●				3,9 ¹⁾	0,0148
G65	45				●							205		110	72	60	48	3	56			●				4,6 ¹⁾	0,0298	0,0033
						●																●	●			7,3 ¹⁾	0,0242	0,0129
							●																●	●			8,9 ²⁾	0,0372
80	65				●						265	266	318	145	100	80	70	11	76			●	●			13,7 ²⁾	0,0211	0,0497
						●												6					●	●			15,9 ²⁾	0,0726
G80	65					●					300	302	358	145	100	80	80	11	76			●	●			14,6 ²⁾	0,0402	0,0634
							●											6					●	●			19,5 ²⁾	0,2251
100	95						●				350		202	148	110	80	4	106				●	●			29,8 ²⁾	0,1951	0,1779
125	100							●			416		225	165	120	99	6	116				●	●			41,7 ²⁾	0,3013	0,3363
									●													●	●			43,6 ²⁾	0,4123	0,3363
G125	120								●		440		225	165	120	95	6	116				●	●			45,6 ²⁾	0,4781	0,3700
										●												●	●			47,7 ²⁾	0,6380	0,3700
150	135									●	470		245	185	140	140	6	136				●				63,2	0,6918	0,6647
G150	135										504		245	185	140	140	6	136				●				67,9	1,1410	0,6647
																						●				68,3	0,7540	0,7677
200	150										568		270	205	160	149	6	156				●				73,0	1,2460	0,7677
																						●				98,7	1,5348	1,4109
G200	150										600		270	205	160	149	6	156				●				101,7	1,9138	1,4109
																						●				103,5	1,7270	1,6401
																					●				106,6	2,1060	1,6401	

¹⁾ with Lz 120 ²⁾ with Lz 100

BoWex-ELASTIC® Type HEW																					
Size	Max. finish bore		Dimensions [mm]														Weight with max. bore [kg]	Mass moment of inertia [kgm²]			
	d2	d3	D	D2	z x M	D4	D5	D6	l1	l2	l3	l4	l5	E	E1	LHEW1		LHEW2	JA	JL	
42	48	50	68	162	6	M6	146	180	85	50	45	15	50	42	4	32	132	104	4,3	0,0121	0,0015
48	48	55	68	180	8	M6	164	200	92	50	45	17	55	45	4	32	137	109	5,5	0,0204	0,0019
65	65	75	96	224	8	M8	205	245	125	70	55	28	75	63	5	42	187	150	13,2	0,0752	0,0071
80	80	80	124	295,27	8	M10	266	318	130	90	70	17	80	70	5	45	215	160	19,7	0,1449	0,0285
G 80	85	95	124	333,4	8	M10	302	358	145	90	80	22	90	78	5	55	235	185	25,9	0,2748	0,0422

Other sizes available. Please send us your inquiry.